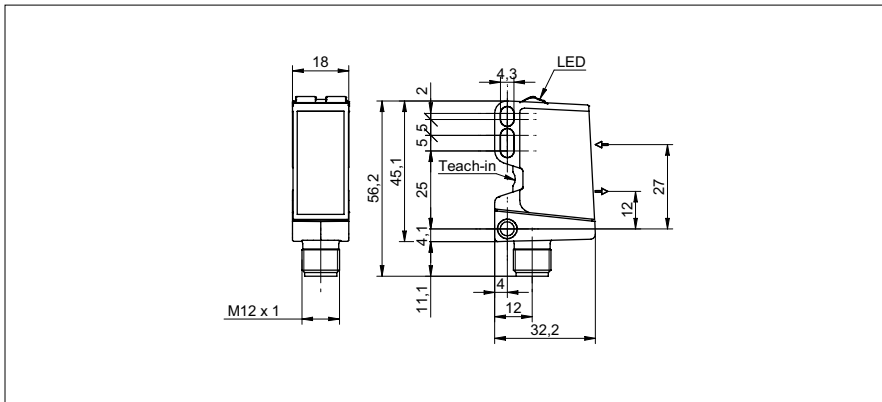


# Diffuse sensors with background suppression

**O500.GR**

**sample drawing**



**general data**

type	background suppression
light source	pulsed red LED
sensing distance $T_w$	60 ... 550 mm
sensing range $T_b$	30 ... 600 mm
power on indication	LED green
light indicator	LED yellow
wave length	630 nm
suppression of reciprocal influence	yes
alignment optical axis	< 1°

**electrical data**

response time / release time	< 1 ms
voltage supply range +Vs	10 ... 30 VDC
current consumption max. (no load)	40 mA
current consumption typ.	30 mA
voltage drop $V_d$	< 3 VDC
output function	light / dark operate
output current	< 100 mA
short circuit protection	yes
reverse polarity protection	yes

**mechanical data**

width / diameter	18 mm
height / length	45 mm
depth	32 mm
type	rectangular
housing material	plastic (ASA, PMMA)
front (optics)	PMMA

**ambient conditions**

operating temperature	-25 ... +60 °C
protection class	IP 67

**sample picture**



## Diffuse sensors with background suppression

**O500.GR**

order reference	connection types	output circuit	sensing distance adjustment
<b>O500.GR-11096063</b>	cable 3 pin, 2 m	push-pull	qTeach
<b>O500.GR-11096062</b>	connector M12 3 pin	push-pull	qTeach
<b>O500.GR-11135886</b>	cable 4 pin, 2 m	NPN complementary	qTeach
<b>O500.GR-11135889</b>	cable 4 pin, 2 m	NPN complementary	qTeach / 1-Step Teach-in
<b>O500.GR-11135863</b>	connector M12 4 pin	NPN complementary	qTeach / 1-Step Teach-in
<b>O500.GR-11123121</b>	connector M12 4 pin	NPN complementary	qTeach
<b>O500.GR-11135888</b>	cable 4 pin, 2 m	PNP complementary	qTeach
<b>O500.GR-11135891</b>	cable 4 pin, 2 m	PNP complementary	qTeach / 1-Step Teach-in
<b>O500.GR-11135864</b>	connector M12 4 pin	PNP complementary	qTeach / 1-Step Teach-in
<b>O500.GR-11123131</b>	connector M12 4 pin	PNP complementary	qTeach