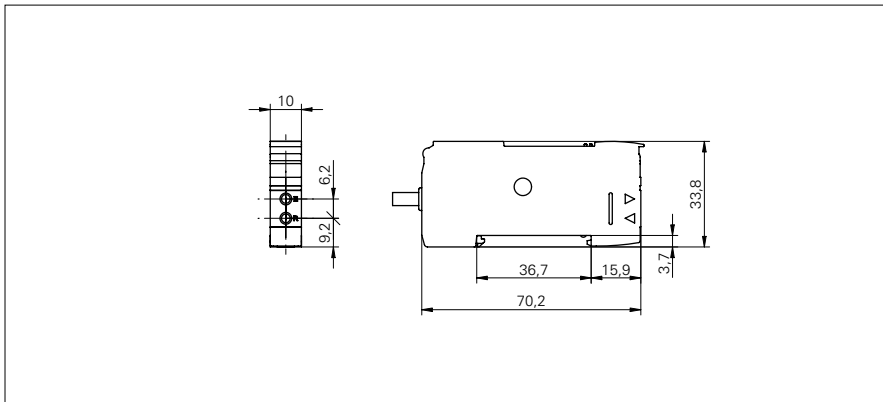


Fiber optic sensors & cables

FVDK 10P67YM

dimension drawing



general data

| | |
|-------------------------------------|---------------------|
| version | master |
| actual range Sb (FSE 200C1002) | 1200 mm |
| sensing distance Tw (FUE 200C1003) | 300 mm |
| light source | pulsed red LED |
| light indicator | 2 x 4-digit display |
| output indicator | LED orange |
| adjustment | Teach-in |
| wave length | 660 nm |
| suppression of reciprocal influence | yes |

electrical data

| | |
|------------------------------------|---------------------------------|
| response time / release time | 0,058 ... 5 ms (adjustable) |
| voltage supply range +Vs | 10,8 ... 26,4 VDC |
| current consumption max. (no load) | 30 mA |
| voltage drop Vd | < 2,1 VDC |
| output function | light / dark operate switchable |
| on / off delay | 0,25 ... 20000 ms |
| min. output pulse length | 0,25 ... 20000 ms |
| output circuit | PNP |
| output current | < 50 mA |
| short circuit protection | yes |
| reverse polarity protection | yes |

mechanical data

| | |
|------------------|-------------------|
| width / diameter | 10 mm |
| height / length | 33,8 mm |
| depth | 70,2 mm |
| type | rectangular |
| housing material | polycarbonate/ABS |
| connection types | cable, 2 m |

ambient conditions

| | |
|-----------------------|----------------|
| operating temperature | -20 ... +55 °C |
| protection class | IP 40 |

photo



connection diagram

