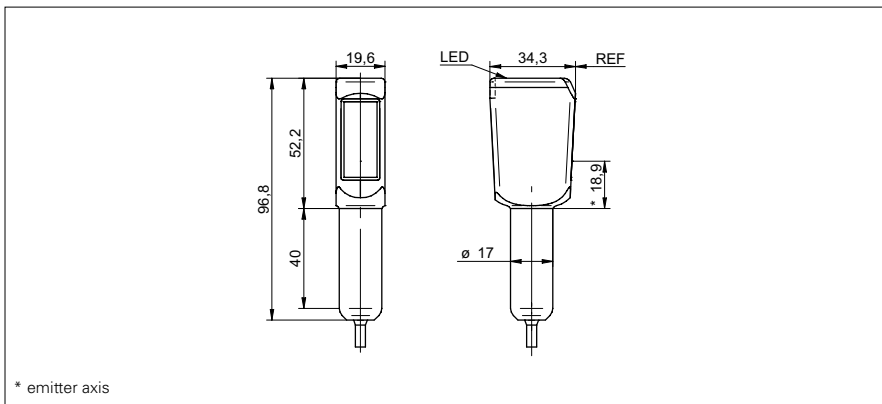


# SmartReflect Light barriers

# FNDH 14

**sample drawing**



**general data**

type	light barrier
special type	hygienic design
light source	pulsed point source LED
alignment / soiled lens indicator	flashing light indicator
power on indication	LED green
output indicator	LED red
wave length	660 nm
approvals/certificates	Ecolab EHEDG

**electrical data**

response time / release time	< 1,8 ms
voltage supply range +Vs	10 ... 30 VDC
current consumption max. (no load)	40 mA
current consumption typ.	35 mA
voltage drop Vd	< 2 VDC
output function	light / dark operate
output circuit	push-pull
output current	< 100 mA
short circuit protection	yes

**mechanical data**

width / diameter	19,6 mm
height / length	52,2 mm
depth	34,3 mm
type	rectangular
housing material	stainless steel 1.4404 (V4A)
front (optics)	PMMA

**ambient conditions**

operating temperature	-30 ... +60 °C
protection class	IP 68/69K & proTect+
storage temperature	-30 ... +70 °C

**sample picture**



**SmartReflect Light barriers**
**FNDH 14**

order reference	version	background position Sde	connection types	sensing distance adjustment	reverse polarity protection	scanning range Sa	minimal signal attenuation
<b>FNDH 14G6901</b>	standard object detection	50 ... 800 mm on V4A	cable 4 pin, 2 m	Teach-in	yes	96% Sde	-
<b>FNDH 14G6901/IO</b>	standard object detection	50 ... 800 mm on V4A	cable 4 pin, 2 m	Teach-in and IO-Link	yes	96% Sde	-
<b>FNDH 14G6901/KS34A</b>	standard object detection	50 ... 800 mm on V4A	flylead connector M12, L=300 mm	Teach-in	yes	96% Sde	-
<b>FNDH 14G6901/KS34A/IO</b>	standard object detection	50 ... 800 mm on V4A	flylead connector M12, L=300 mm	Teach-in and IO-Link	yes	96% Sde	-
<b>FNDH 14G6902</b>	Tray and bottle detection	200 ... 800 mm on V4A	cable 4 pin, 2 m	Teach-in	yes, Vs to GND	-	30 %
<b>FNDH 14G6902/IO</b>	Tray and bottle detection	200 ... 800 mm on V4A	cable 4 pin, 2 m	Teach-in and IO-Link	yes, Vs to GND	-	30 %
<b>FNDH 14G6902/KS34A</b>	Tray and bottle detection	200 ... 800 mm on V4A	flylead connector M12, L=300 mm	Teach-in	yes, Vs to GND	-	30 %
<b>FNDH 14G6902/KS34A/IO</b>	Tray and bottle detection	200 ... 800 mm on V4A	flylead connector M12, L=300 mm	Teach-in and IO-Link	yes, Vs to GND	-	30 %
<b>FNDH 14G6903</b>	Foil detection	200 ... 800 mm on V4A	cable 4 pin, 2 m	Teach-in	yes	-	12 %
<b>FNDH 14G6903/IO</b>	Foil detection	200 ... 800 mm on V4A	cable 4 pin, 2 m	Teach-in and IO-Link	yes	-	12 %
<b>FNDH 14G6903/KS34A</b>	Foil detection	200 ... 800 mm on V4A	flylead connector M12, L=300 mm	Teach-in	yes	-	12 %
<b>FNDH 14G6903/KS34A/IO</b>	Foil detection	200 ... 800 mm on V4A	flylead connector M12, L=300 mm	Teach-in and IO-Link	yes	-	12 %