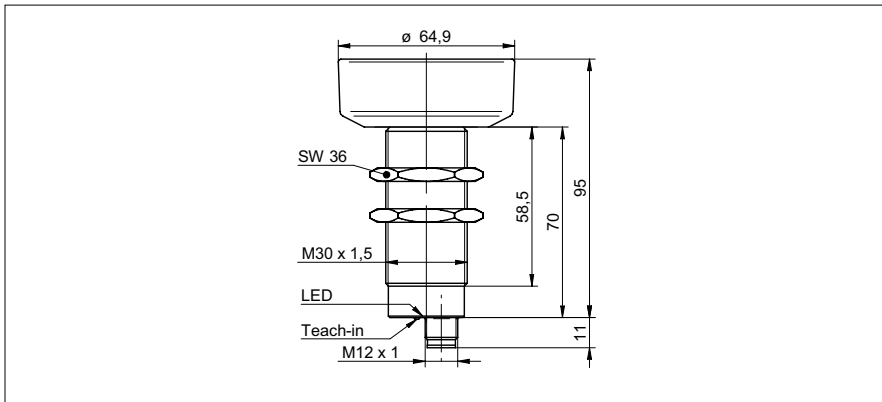


# Ultrasonic distance measuring sensors

## UNAM 70I6131/S14

**dimension drawing**



**general data**

scanning range Sd	600 ... 6000 mm
scanning range close limit Sdc	600 ... 6000 mm
scanning range far limit Sde	600 ... 6000 mm
repeat accuracy	< 3 mm
resolution	< 2 mm
response time ton	< 640 ms
release time toff	< 640 ms
temperature drift	< 2 % of distance to target So
sonic frequency	80 kHz
adjustment	Teach-in
alignment aid	target indication flashing
light indicator	yellow LED / red LED

**electrical data**

voltage supply range +Vs	15 ... 30 VDC
current consumption max. (no load)	35 mA
output circuit	current output
output signal	4 ... 20 mA / 20 ... 4 mA
output current	< 20 mA
load resistance +Vs max.	< 1100 Ohm
load resistance +Vs min.	< 400 Ohm
residual ripple	< 10 % Vs
short circuit protection	yes
reverse polarity protection	yes

**mechanical data**

type	cylindrical threaded
housing material	brass nickel plated
width / diameter	30 mm
height / length	95 mm
connection types	connector M12

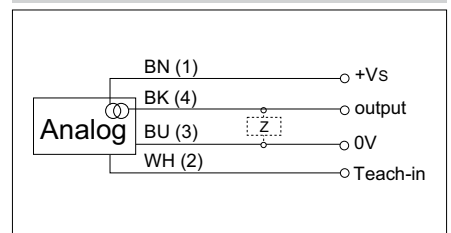
**ambient conditions**

operating temperature	-25 ... +60 °C
protection class	IP 67

**photo**



**connection diagram**



UL.eps

- Analog current output 4-20 mA
- long sensing distance

# Ultrasonic distance measuring sensors

## UNAM 70I6131/S14

typical sonic cone profile

